

# Подшипники мешалок, аксессуары

## Технические характеристики

По вопросам продаж и поддержки обращайтесь:

Алматы (727)345-47-04  
Ангарск (3955)60-70-56  
Архангельск (8182)63-90-72  
Астрахань (8512)99-46-04  
Барнаул (3852)73-04-60  
Белгород (4722)40-23-64  
Благовещенск (4162)22-76-07  
Брянск (4832)59-03-52  
Владивосток (423)249-28-31  
Владикавказ (8672)28-90-48  
Владимир (4922)49-43-18  
Волгоград (844)278-03-48  
Вологда (8172)26-41-59  
Воронеж (473)204-51-73  
Екатеринбург (343)384-55-89

Иваново (4932)77-34-06  
Ижевск (3412)26-03-58  
Иркутск (395)279-98-46  
Казань (843)206-01-48  
Калининград (4012)72-03-81  
Калуга (4842)92-23-67  
Кемерово (3842)65-04-62  
Киров (8332)68-02-04  
Коломна (4966)23-41-49  
Кострома (4942)77-07-48  
Краснодар (861)203-40-90  
Красноярск (391)204-63-61  
Курск (4712)77-13-04  
Курган (3522)50-90-47  
Липецк (4742)52-20-81

Магнитогорск (3519)55-03-13  
Москва (495)268-04-70  
Мурманск (8152)59-64-93  
Набережные Челны (8552)20-53-41  
Нижний Новгород (831)429-08-12  
Новокузнецк (3843)20-46-81  
Ноябрьск (3496)41-32-12  
Новосибирск (383)227-86-73  
Омск (3812)21-46-40  
Орел (4862)44-53-42  
Оренбург (3532)37-68-04  
Пенза (8412)22-31-16  
Петрозаводск (8142)55-98-37  
Псков (8112)59-10-37  
Пермь (342)205-81-47

Ростов-на-Дону (863)308-18-15  
Рязань (4912)46-61-64  
Самара (846)206-03-16  
Санкт-Петербург (812)309-46-40  
Саратов (845)249-38-78  
Севастополь (8692)22-31-93  
Саранск (8342)22-96-24  
Симферополь (3652)67-13-56  
Смоленск (4812)29-41-54  
Сочи (862)225-72-31  
Ставрополь (8652)20-65-13  
Сургут (3462)77-98-35  
Сыктывкар (8212)25-95-17  
Тамбов (4752)50-40-97  
Тверь (4822)63-31-35

Тольятти (8482)63-91-07  
Томск (3822)98-41-53  
Тула (4872)33-79-87  
Тюмень (3452)66-21-18  
Ульяновск (8422)24-23-59  
Улан-Удэ (3012)59-97-51  
Уфа (347)229-48-12  
Хабаровск (4212)92-98-04  
Чебоксары (8352)28-53-07  
Челябинск (351)202-03-61  
Череповец (8202)49-02-64  
Чита (3022)38-34-83  
Якутск (4112)23-90-97  
Ярославль (4852)69-52-93

Россия +7(495)268-04-70

Казахстан +7(727)345-47-04

Беларусь +(375)257-127-884

Узбекистан +998(71)205-18-59

Киргизия +996(312)96-26-47

эл.почта: [ezo@nt-rt.ru](mailto:ezo@nt-rt.ru) || сайт: <https://lenz.nt-rt.ru/>

## Lenz® Range of Reaction Vessels

The Lenz® range of reaction vessels includes standard types of reactors without and with thermostatic jacket up to 30 litre capacity and flange size DN 200. The cylindrical vessels are also available with vacuum jacket.

Based on decades of experience and state-of-the-art production facilities we manufacture reaction vessels with highest precision. Beside the standard products shown in this catalogue, we additionally produce special custom made products according to customer's individual demands, with short delivery terms.

### Product features of Lenz® reaction vessels

- Various combinations possible
- The vessels are suitable for vacuum purposes
- Available special models:
  - coated
  - amber stained
  - with silver-plated vacuum jacket
- Reaction vessels up to 6 litres, equipped with a 10 mm valve (with twist-off safety device)
- Reaction vessels 10 litres and bigger, equipped with a 20 mm valve (spring loaded)
- In addition to the glass parts we also deliver complete setups including framework, agitator motors, thermostat etc.

All measures are approximate.  
Technical specifications are subject to change without notice.



## Ball flanges KF, ball with olive

With KF ball, with glass olive, made of DURAN® tubing

Ball (KF)	Olive (mm)	Pack (qty.)	Cat. No.
15	10	1	5 1071 10
15	16	1	5 1071 16
25	16	1	5 1072 16



### Spare valve (old)

For reaction vessels up to 2020 production year  
Valve opening: 10 mm, Valve spindle: PTFE, Valve body: PPT  
Nominal operating temperature: -30 to +200 °C  
Pack quantity: 1 piece

**Cat.-No.: 6061310**



## Stainless steel ball flanges, socket with thread

With KF socket, with thread, material: stainless steel

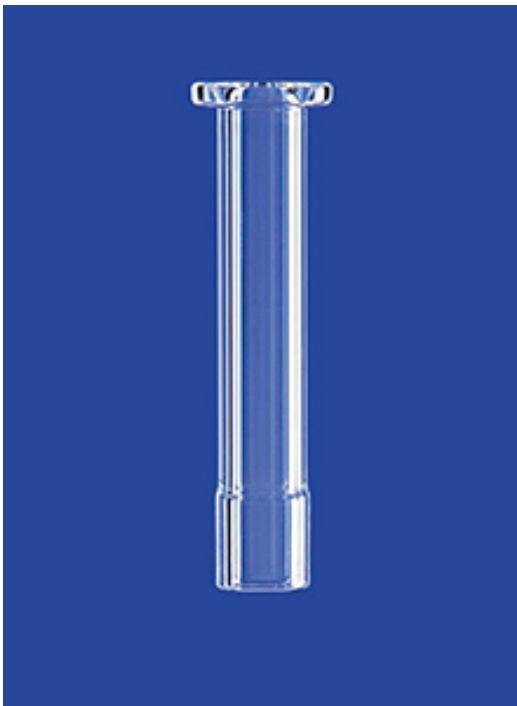
Socket (KF)	Thread	Pack (qty.)	Cat. No.
15	M 16 x 1	1	5 1081 10
25	M 16 x 1	1	5 1082 16
25	M30 x 1,5	1	5 1082 30



## Stirrer bearings

Made of precision calibrated glass tube, bearing surface ground and polished, interchangeable, material: DURAN®

Code	For shaft (dia. mm)	Pack (qty.)	Cat. No.
HA 10	10	1	6 3000 10
HB 10	10	1	6 3001 10
HB 16	16	1	6 3001 16





## Supports for ball flanges

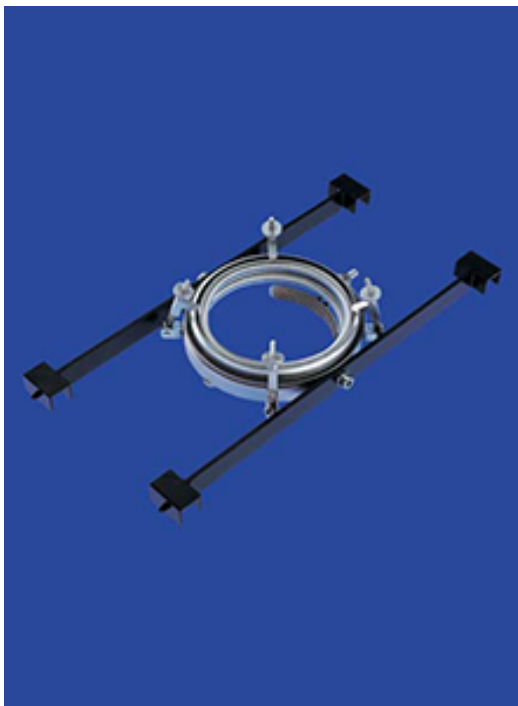
Supports for ball flanges KF 15-KF 50, material: stainless steel

Ball (KF)	Pack (qty.)	Cat. No.
15	1	6 2485 15
25	1	6 2485 25
40	1	6 2485 40
50	1	6 2485 50

## Seals for ball flanges

Seals for ball flanges KF 15-KF 50, material: PTFE

Ball (KF)	Pack (qty.)	Cat. No.
15	1	6 2488 15
25	1	6 2488 25
40	1	6 2488 40
50	1	6 2488 50



## Supports for stand grids

For fixing lids onto reaction vessels and for the suspension into stands, complete with clamp and supports, material: stainless steel (clamp), steel, powder coated (supports)

Lab. flange (LF)	Framework grid (m)	Pack (qty.)	Cat. No.
100	0,353	1	6 2472 10
100	0,5	1	6 2472 11
150	0,353	1	6 2474 15
150	0,5	1	6 2474 16
150	0,707	1	6 2474 17
200	0,5	1	6 2475 20
200	0,707	1	6 2475 21



## Ball flanges KF, socket with olive

With KF socket, with glass olive, made of DURAN® tubing

Socket (KF)	Olive (mm)	Pack (qty.)	Cat. No.
15	10	1	5 1061 10
15	16	1	5 1061 16
25	16	1	5 1062 16



## Clamps

For fixing lids onto reaction vessels, available for flat flanges LF 60-200

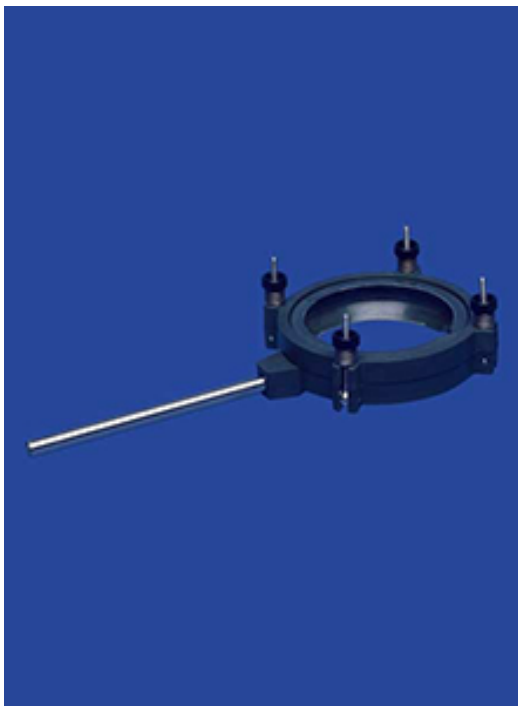
Lab. flange (LF)	Pack (qty.)	Cat. No.
60	1	6 2460 06
100	1	6 2460 10
150	1	6 2460 15
200	1	6 2460 20



## Clamps

For fixing lids onto reaction vessels, available for flat flanges  
LF100-200 material: stainless steel

Lab. flang (LF)	Pack (qty.)	Cat. No.
100	1	6 2470 10
150	1	6 2470 15
200	1	6 2470 20



## Clamps with stand rod

For fixing lids onto reaction vessels and mounting on a stand,  
material: polyester-glass compound (clamp), steel (rod)

Lab. flange (LF)	Pack (qty.)	Cat. No.
60	1	6 2465 06
100	1	6 2465 10
150	1	6 2465 15



## Flexible coupling for stirrers

Flexible coupling for stirrers with pivot 8-10 mm; due to axial and vertical difference compensation no adjustment of motor and stirring rod necessary; chuck: stainless steel, pack: 1 piece

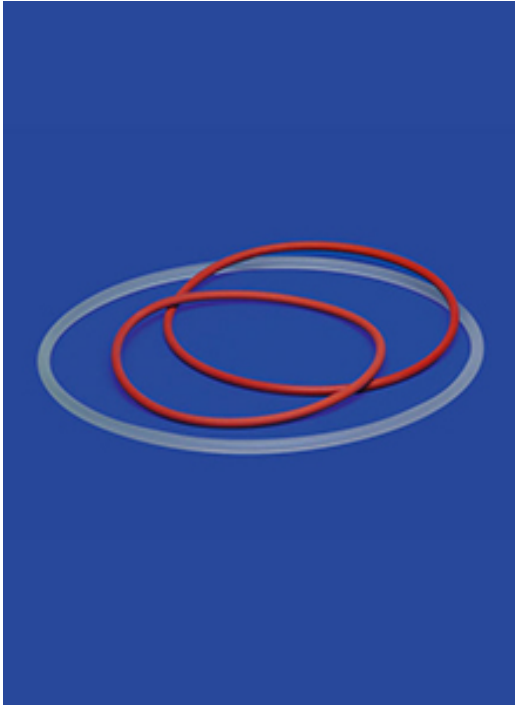
**Cat. No.: 6 4000 00**



## Hinged couplings for stirrers

Hinged couplings for stirrers, available with thread connection GL 10 or GL 14 or for pivot (10 mm), material: steel, nickel-plated

Description	Pack (qty.)	Cat. No.
Connection for stirrers with thread GL 10	1	6 4005 10
Connection for stirrers with thread GL 14	1	6 4005 14
Connection for metal stirrers with pivot 10 mm	1	6 4005 01



## O-ring seals

Seals for flat flanges LF 60-200, material acc.to adjacent table

Lab. flange (LF)	Material	Pack (qty.)	Cat. No.
60	Silicone	1	6 2480 06
100	Silicone	1	6 2480 10
150	Silicone	1	6 2480 15
200	Silicone	1	6 2480 20
60	FEP coated	1	6 2482 06
100	FEP coated	1	6 2482 10
150	FEP coated	1	6 2482 15
200	FEP coated	1	6 2482 20



### **Spare security valve (new)**

For reaction vessels launched 2021

Valve opening: 10 mm, Valve spindle: PTFE, Valve body: PA 66

Nominal operating temperature: -30 to +200 °C with restrictions  
also down to -100 °C (reduced tightness)

Store dry at temperatures of -20 to +40 °C

Pack quantity: 1 piece

**Cat.-No.: 6061312**

## По вопросам продаж и поддержки обращайтесь:

Алматы (727)345-47-04  
Ангарск (3955)60-70-56  
Архангельск (8182)63-90-72  
Астрахань (8512)99-46-04  
Барнаул (3852)73-04-60  
Белгород (4722)40-23-64  
Благовещенск (4162)22-76-07  
Брянск (4832)59-03-52  
Владивосток (423)249-28-31  
Владикавказ (8672)28-90-48  
Владимир (4922)49-43-18  
Волгоград (844)278-03-48  
Вологда (8172)26-41-59  
Воронеж (473)204-51-73  
Екатеринбург (343)384-55-89

Иваново (4932)77-34-06  
Ижевск (3412)26-03-58  
Иркутск (395)279-98-46  
Казань (843)206-01-48  
Калининград (4012)72-03-81  
Калуга (4842)92-23-67  
Кемерово (3842)65-04-62  
Киров (8332)68-02-04  
Коломна (4966)23-41-49  
Кострома (4942)77-07-48  
Краснодар (861)203-40-90  
Красноярск (391)204-63-61  
Курск (4712)77-13-04  
Курган (3522)50-90-47  
Липецк (4742)52-20-81

Магнитогорск (3519)55-03-13  
Москва (495)268-04-70  
Мурманск (8152)59-64-93  
Набережные Челны (8552)20-53-41  
Нижний Новгород (831)429-08-12  
Новокузнецк (3843)20-46-81  
Ноябрьск (3496)41-32-12  
Новосибирск (383)227-86-73  
Омск (3812)21-46-40  
Орел (4862)44-53-42  
Оренбург (3532)37-68-04  
Пенза (8412)22-31-16  
Петрозаводск (8142)55-98-37  
Псков (8112)59-10-37  
Пермь (342)205-81-47

Ростов-на-Дону (863)308-18-15  
Рязань (4912)46-61-64  
Самара (846)206-03-16  
Санкт-Петербург (812)309-46-40  
Саратов (845)249-38-78  
Севастополь (8692)22-31-93  
Саранск (8342)22-96-24  
Симферополь (3652)67-13-56  
Смоленск (4812)29-41-54  
Сочи (862)225-72-31  
Ставрополь (8652)20-65-13  
Сургут (3462)77-98-35  
Сыктывкар (8212)25-95-17  
Тамбов (4752)50-40-97  
Тверь (4822)63-31-35

Тольятти (8482)63-91-07  
Томск (3822)98-41-53  
Тула (4872)33-79-87  
Тюмень (3452)66-21-18  
Ульяновск (8422)24-23-59  
Улан-Удэ (3012)59-97-51  
Уфа (347)229-48-12  
Хабаровск (4212)92-98-04  
Чебоксары (8352)28-53-07  
Челябинск (351)202-03-61  
Череповец (8202)49-02-64  
Чита (3022)38-34-83  
Якутск (4112)23-90-97  
Ярославль (4852)69-52-93

**Россия** +7(495)268-04-70

**Казахстан** +7(727)345-47-04

**Беларусь** +(375)257-127-884

**Узбекистан** +998(71)205-18-59

**Киргизия** +996(312)96-26-47

эл.почта: [ezo@nt-rt.ru](mailto:ezo@nt-rt.ru) || сайт: <https://lenz.nt-rt.ru/>