

Реакционные блоки

Технические характеристики

По вопросам продаж и поддержки обращайтесь:

Алматы (727)345-47-04
Ангарск (3955)60-70-56
Архангельск (8182)63-90-72
Астрахань (8512)99-46-04
Барнаул (3852)73-04-60
Белгород (4722)40-23-64
Благовещенск (4162)22-76-07
Брянск (4832)59-03-52
Владивосток (423)249-28-31
Владикавказ (8672)28-90-48
Владимир (4922)49-43-18
Волгоград (844)278-03-48
Вологда (8172)26-41-59
Воронеж (473)204-51-73
Екатеринбург (343)384-55-89

Иваново (4932)77-34-06
Ижевск (3412)26-03-58
Иркутск (395)279-98-46
Казань (843)206-01-48
Калининград (4012)72-03-81
Калуга (4842)92-23-67
Кемерово (3842)65-04-62
Киров (8332)68-02-04
Коломна (4966)23-41-49
Кострома (4942)77-07-48
Краснодар (861)203-40-90
Красноярск (391)204-63-61
Курск (4712)77-13-04
Курган (3522)50-90-47
Липецк (4742)52-20-81

Магнитогорск (3519)55-03-13
Москва (495)268-04-70
Мурманск (8152)59-64-93
Набережные Челны (8552)20-53-41
Нижний Новгород (831)429-08-12
Новокузнецк (3843)20-46-81
Ноябрьск (3496)41-32-12
Новосибирск (383)227-86-73
Омск (3812)21-46-40
Орел (4862)44-53-42
Оренбург (3532)37-68-04
Пенза (8412)22-31-16
Петрозаводск (8142)55-98-37
Псков (8112)59-10-37
Пермь (342)205-81-47

Ростов-на-Дону (863)308-18-15
Рязань (4912)46-61-64
Самара (846)206-03-16
Санкт-Петербург (812)309-46-40
Саратов (845)249-38-78
Севастополь (8692)22-31-93
Саранск (8342)22-96-24
Симферополь (3652)67-13-56
Смоленск (4812)29-41-54
Сочи (862)225-72-31
Ставрополь (8652)20-65-13
Сургут (3462)77-98-35
Сыктывкар (8212)25-95-17
Тамбов (4752)50-40-97
Тверь (4822)63-31-35

Тольятти (8482)63-91-07
Томск (3822)98-41-53
Тула (4872)33-79-87
Тюмень (3452)66-21-18
Ульяновск (8422)24-23-59
Улан-Удэ (3012)59-97-51
Уфа (347)229-48-12
Хабаровск (4212)92-98-04
Чебоксары (8352)28-53-07
Челябинск (351)202-03-61
Череповец (8202)49-02-64
Чита (3022)38-34-83
Якутск (4112)23-90-97
Ярославль (4852)69-52-93

Россия +7(495)268-04-70

Казахстан +7(727)345-47-04

Беларусь +(375)257-127-884

Узбекистан +998(71)205-18-59

Киргизия +996(312)96-26-47

эл.почта: ezo@nt-rt.ru || сайт: <https://lenz.nt-rt.ru/>

Lenz® Range of Reaction Vessels

The Lenz® range of reaction vessels includes standard types of reactors without and with thermostatic jacket up to 30 litre capacity and flange size DN 200. The cylindrical vessels are also available with vacuum jacket.

Based on decades of experience and state-of-the-art production facilities we manufacture reaction vessels with highest precision. Beside the standard products shown in this catalogue, we additionally produce special custom made products according to customer's individual demands, with short delivery terms.

Product features of Lenz® reaction vessels

- Various combinations possible
- The vessels are suitable for vacuum purposes
- Available special models:
 - coated
 - amber stained
 - with silver-plated vacuum jacket
- Reaction vessels up to 6 litres, equipped with a 10 mm valve (with twist-off safety device)
- Reaction vessels 10 litres and bigger, equipped with a 20 mm valve (spring loaded)
- In addition to the glass parts we also deliver complete setups including framework, agitator motors, thermostat etc.

All measures are approximate.
Technical specifications are subject to change without notice.



One-way reaction/distillation units

Batch reactor for stirring under normal pressure or vacuum, with possibility of addition of liquids and boiling under reflux. The descending condenser with intermediate and final receiver (suitable for vacuum operation) allows the separation of the solvent from the product by one-way distillation after reaction. High-quality system components:

Reaction vessels (6, 10, 20 or 30 l)

with thermostatic jacket (heatable by a thermostatic bath), with bottom discharge valve (PTFE), made of DURAN® tubing

Flat flange lid (DN 150 or DN 200)

1 center neck NS 45/40, 2 side necks 45° NS 29/32, 1 side neck straight NS 14/23, material: DURAN®

Feeding funnel

Capacity: 1000 or 4000 ml, with graduation, NS 29/32, made of DURAN® tubing

Spiral condenser

NS 29/32, S 29, jacket length: 300 mm, made of DURAN® tubing

Stirrer guide and stirrer

with 16 mm shaft, stirrer: steel, PTFE coated

Vessel capacity (l)	Nom. size (DN)	Pack (qty.)	Cat. No.
6	150	1	6 2654 85
10	150	1	6 2654 88
20	150	1	6 2654 94
6	200	1	6 2655 85
10	200	1	6 2655 88
20	200	1	6 2655 94
30	200	1	6 2655 97

Accessories

Description	Cat. No.
Flexible coupling as connection between stirrer and motor	6 4005 01
Support, for DN 150, complete with connector, approx. W 1,0 x D 0,5 x H 2,0 m	6 2478 01
Support, for DN 200, complete with connector, approx. W 1,0 x D 0,5 x H 2,0 m	6 2478 02
Motor, 230 V, with stepless adjustable speed and torque control, digital display	6 9000 01

System contents and spare parts for one-way reaction/distillation units 6, 10, 20 l, DN 150

Cat. No.: 6 2654 85, Cat.No.: 6 2654 88 and Cat. No.: 6 2654 94

Pos.	System contents (pc.)	Description	Cat. No.
1a	1	Reaction vessel 6 l, DN 150	6 0314 85

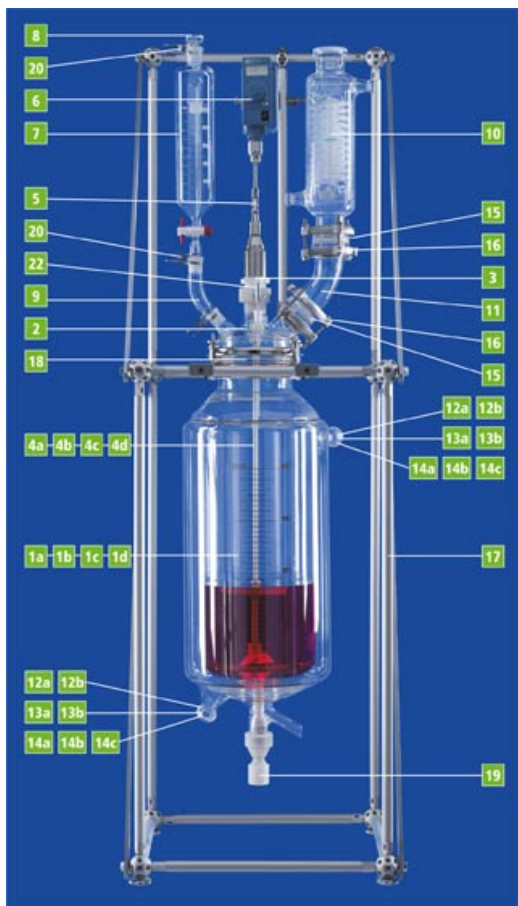
Pos.	System contents (pc.)	Description	Cat. No.
1b	1	Reaction vessel 10 l, DN 150	6 0314 88
1c	1	Reaction vessel 20 l, DN 150	6 0314 94
2	1	Flat flange lid, DN 150, 1 center neck, 3 side necks	6 1044 65
3	1	Stirrer guide, cone NS 45	6 3062 06
4a	1	Double-propeller stirrer for 6 l	6 3310 06
4b	1	Double-propeller stirrer for 10 l	6 3310 10
4c	1	Double-propeller stirrer for 20 l	6 3310 20
5	1	Hinged coupling, metal	6 4005 01
6	1	Motor, 230 V	6 9000 01
7a	1	Dosing funnel 1000 ml, NS 29/32 (for 6 and 10 l)	6 3500 70
7b	1	Dosing funnel 4000 ml, NS 29/32 (for 20 l)	6 3500 79
8	1	Vent tube	6 3505 04
9	1	Bend 135°, 2 NS 29/32	6 3550 04
10	1	Distilling head 120°	6 3551 14
11	1	Temperature probe Pt 100, 85 mm, NS14/23	6 5000 05
12a	2	Flange support, stainless steel, KF 15 (for 6 and 10 l)	6 2485 15
12b	2	Flange support, stainless steel, KF 25 (for 20 l)	6 2485 25
13a	2	PTFE-seals KF 15 (for 6 and 10 l)	6 2488 15
13b	2	PTFE-seals KF 25 (for 20 l)	6 2488 25
14a	2	Tube adapter KF 15, thread M 16 x 1 (for 6 and 10 l)	5 1081 10
14b	2	Tube adapter KF 25, thread M 16 x 1 (for 20 l)	5 1082 16
15	1	Coil condenser	5 2550 29
16	1	Bend, NS 29/32, S 29	6 3550 10
17	1	Intermediate receiver 0.5 l	6 5150 05
18	1	Final receiver 2.0 l	6 5150 10
19	2	Ventilation valve 0-2.5 mm, NS 29/32	6 5200 00
20	1	Connection valve 10 mm	6 5200 05
21	10	Forked clamps NS 29/32	1 1035 29
22	1	Forked clamp S 29	1 2329 15
23	1	Support DN 150, complete with connector	6 2478 01
24	1	O-ring, silicone, DN 150	6 2480 15
25a	1	Valve plug, 10 mm, PTFE, for 6 l	6 0613 10
25b	1	Valve plug, 20 mm, PTFE, for 10 and 20 l	6 0612 20

System contents and spare parts for one-way reaction/distillation units 6, 10, 20, 30 l, DN 200

Cat. No.: 6 2655 85, Cat. No.: 6 2655 88, Cat. No.: 6 2655 94 and 6 2655 97

Pos.	System contents (pc.)	Description	Cat. No.
1a	1	Reaction vessel 6 l, DN 200	6 0315 85
1b	1	Reaction vessel 10 l, DN 200	6 0315 88
1c	1	Reaction vessel 20 l, DN 200	6 0315 94
1c	1	Reaction vessel 30 l, DN 200	6 0315 97
2	1	Flat flange lid, DN 200, 1 center neck, 3 side necks	6 1045 65
3	1	Stirrer guide, cone NS 45	6 3062 06
4a	1	Double-propeller stirrer for 6 l	6 3310 06
4b	1	Double-propeller stirrer for 10 l	6 3310 10
4c	1	Double-propeller stirrer for 20 l	6 3310 20
4c	1	Double-propeller stirrer for 30 l	6 3310 30
5	1	Hinged coupling, metal	6 4005 01

Pos.	System contents (pc.)	Description	Cat. No.
6	1	Motor, 230 V	6 9000 01
7a	1	Dosing funnel 1000 ml, NS 29/32 (for 6 and 10 l)	6 3500 70
7b	1	Dosing funnel 4000 ml, NS 29/32 (for 20 and 30 l)	6 3500 79
8	1	Vent tube	6 3505 04
9	1	Bend 135°, 2 NS 29/32	6 3550 04
10	1	Distilling head 120°	6 3551 14
11	1	Temperature probe Pt 100, 85 mm, NS14/23	6 5000 05
12a	2	Flange support, stainless steel, KF 15 (for 6 and 10 l)	6 2485 15
12b	2	Flange support, stainless steel, KF 25 (for 20 and 30 l)	6 2485 25
13a	2	PTFE-seals KF 15 (for 6 and 10 l)	6 2488 15
13b	2	PTFE-seals KF 25 (for 20 and 30 l)	6 2488 25
14a	2	Tube adapter KF 15, thread M 16 x 1 (for 6 and 10 l)	5 1081 10
14b	2	Tube adapter KF 25, thread M 16 x 1 (for 20 l)	5 1082 16
14c	2	Tube adapter KF 25, thread M 30 x 1.5 (for 30 l)	5 1082 30
15	1	Coil condenser	5 2550 29
16	1	Bend, NS 29/32 S 29	6 3550 10
17	1	Intermediate receiver 0.5 l	6 5150 05
18	1	Final receiver 2.0 l	6 5150 10
19	2	Ventilation valve 0-2.5 mm, NS 29/32	6 5200 00
20	1	Connection valve	6 5200 05
21	10	Forked clamps NS 29/32	1 1035 29
22	1	Forked clamp S 29	1 2329 15
23	1	Support DN 200, complete with connector	6 2478 02
24	1	O-ring, silicone, DN 200	6 2480 20
25a	1	Valve plug, 10 mm, PTFE, for 6 l	6 0612 10
25b	1	Valve plug, 20 mm, PTFE, for 10, 20 and 30 l	6 0612 20



Reflux reaction units

Batch reactor for stirring under normal pressure or vacuum, with possibility of addition of liquids and boiling under reflux. High-quality system components:

Reaction vessels (6, 10, 20 or 30 l)

with thermostatic jacket (heatable by a thermostatic bath), with bottom discharge valve (PTFE), made of DURAN® tubing,

Flat flange lid (DN 150 or DN 200)

1 center neck NS 45/40, 1 side neck 45° KF 50, 1 side neck 45° NS 29/32, 1 side neck straight NS 14/23, material: DURAN®,

Feeding funnel, constant addition, 1000 ml

with graduation, NS 29/32, made of DURAN® tubing,

Reflux condenser

(details see on page 72) suitable for vacuum operation, jacket length: 300 mm, 2 KF 50, made of DURAN® tubing,

Stirrer bearing and stirrer

with 16 mm shaft, stirrer: steel, PTFE coated,

Rigid support

powder coated steel framework, tension brace: stainless steel, dimensions: approx. W 0.5 x D 0.35 x H 1.7 m

Vessel capacity (l)	Nom. size (DN)	Pack (qty.)	Cat. No.
6	150	1	6 2704 85
10	150	1	6 2704 88
20	150	1	6 2704 94
6	200	1	6 2705 85
10	200	1	6 2705 88
20	200	1	6 2705 94
30	200	1	6 2705 97

Accessories

Description	Cat. No.
Flexible coupling as connection between stirrer and motor	6 4005 01
Support, for flanges DN 150, complete with connector	6 2476 01
Support, for flanges DN 200, complete with connector	6 2476 02
Motor, 230 V, with stepless adjustable speed and torque control, digital display	6 9000 01

Lieferumfang und Ersatzteilübersicht für

Rückfluss-Reaktionsapparate 6, 10, 20 l, DN 150

Cat. No.: 6 2704 85, Cat. No.: 6 2704 88 und Cat. No.: 6 2704 94

Pos.	System contents (pc.)	Description	Cat. No.
1a	1	Reaction vessel 6 l, DN 150	6 0314 85

Pos.	System contents (pc.)	Description	Cat. No.
1b	1	Reaction vessel 10 l, DN 150	6 0314 88
1c	1	Reaction vessel 20 l, DN 150	6 0314 94
2	1	Flat flange lid, DN 150, 1 center neck, 3 side necks	6 1044 70
3	1	Stirrer guide, cone NS 45	6 3062 06
4a	1	Double-propeller stirrer for 6 l	6 3310 06
4b	1	Double-propeller stirrer for 10 l	6 3310 10
4c	1	Double-propeller stirrer for 20 l	6 3310 20
5	1	Hinged coupling, metal	6 4005 01
6	1	Motor 230 V	6 9000 01
7	1	Dropping funnel 1000 ml, constant addition, NS 29/32	4 3770 14
8	1	Hollow stopper, pointed bottom, NS 29/32	1 4000 29
9	1	Bend 135°, 2 NS 29/32	6 3550 04
10	1	Reflux condenser, jacket length: 300 mm, 2 KF 50	5 2550 50
11	1	Bend 135°, 2 KF 50	6 3550 11
12a	2	Flange support, stainless steel, KF 15 (for 6 and 10 l)	6 2485 15
12b	2	Flange support, stainless steel, KF 25 (for 20 l)	6 2485 25
13a	2	PTFE-seals KF 15 (for 6 and 10 l)	6 2488 15
13b	2	PTFE-seals KF 25 (for 20 l)	6 2488 25
14a	2	Tube adapter KF 15, thread M 16 x 1 (for 6 and 10 l)	5 1081 10
14b	2	Tube adapter KF 25, thread M 16 x 1 (for 20 l)	5 1082 16
15	2	PTFE-seals KF 50	6 2488 50
16	2	Flange support, stainless steel, KF 50	6 2485 50
17	1	Support DN 150, complete with connector	6 2476 01
18	1	Sealing ring, silicone, DN 150	6 2480 15
19	1	Spare valve plug, 20 mm, PTFE	6 0612 20
20	3	Forked clamps NS 29/32	1 1035 29
21	1	Forked clamp NS 45/40	1 1035 45
22	1	Temperature probe Pt 100, NS14/23	6 5000 08

System contents and spare parts for reflux

reaction units 6, 10, 20, 30 l, DN 200

Cat. No.: 6 2705 85, Cat. No.: 6 2705 88, Cat. No.: 6 2705 94 and 6 2705 97

Pos.	System contents (pc.)	Description	Cat. No.
1a	1	Reaction vessel 6 l, DN 200	6 0315 85
1b	1	Reaction vessel 10 l, DN 200	6 0315 88
1c	1	Reaction vessel 20 l, DN 200	6 0315 94
1d	1	Reaction vessel 30 l, DN 200	6 0315 97
2	1	Flat flange lid, DN 200, 1 center neck, 3 side necks	6 1045 70
3	1	Stirrer guide, cone NS 45	6 3062 06
4a	1	Double-propeller stirrer for 6 l	6 3310 06
4b	1	Double-propeller stirrer for 10 l	6 3310 10
4c	1	Double-propeller stirrer for 20 l	6 3310 20
4d	1	Double-propeller stirrer for 30 l	6 3310 30
5	1	Hinged coupling, metal	6 4005 01
6	1	Motor 230 V	6 9000 01
7	1	Dropping funnel 1000 ml, constant addition, NS 29/32	4 3770 14
8	1	Hollow stopper, pointed bottom, NS 29/32	1 4000 29
9	1	Bend 135°, 2 NS 29/32	6 3550 04
10	1	Reflux condenser, jacket length: 300 mm, 2 KF 50	5 2550 50
11	1	Bend 135°, 2 KF 50	6 3550 11

Pos.	System contents (pc.)	Description	Cat. No.
12a	2	Flange support, stainless steel, KF 15 (for 6 and 10 l)	6 2485 15
12b	2	Flange support, stainless steel, KF 25 (for 20 and 30 l)	6 2485 25
13a	2	PTFE-seals KF 15 (for 6 and 10 l)	6 2488 15
13b	2	PTFE-seals KF 25 (for 20 and 30 l)	6 2488 25
14a	2	Tube adapter KF 15, thread M 16 x 1 (for 6 and 10 l)	5 1081 10
14b	2	Tube adapter KF 25, thread M 16 x 1 (for 20 l)	5 1082 16
14c	2	Tube adapter KF 25, thread M 30 x 1.5 (for 30 l)	5 1082 30
15	2	PTFE-seals KF 50	6 2488 50
16	2	Flange support, stainless steel, KF 50	6 2485 50
17	1	Support DN 200, complete with connector	6 2476 02
18	1	Sealing ring, silicone, DN 200	6 2480 20
19	1	Spare valve plug, 20 mm, PTFE	6 0612 20
20	3	Forked clamps NS 29/32	1 1035 29
21	1	Forked clamp NS 45/40	1 1035 45
22	1	Temperature probe Pt 100, NS14/23	6 5000 08

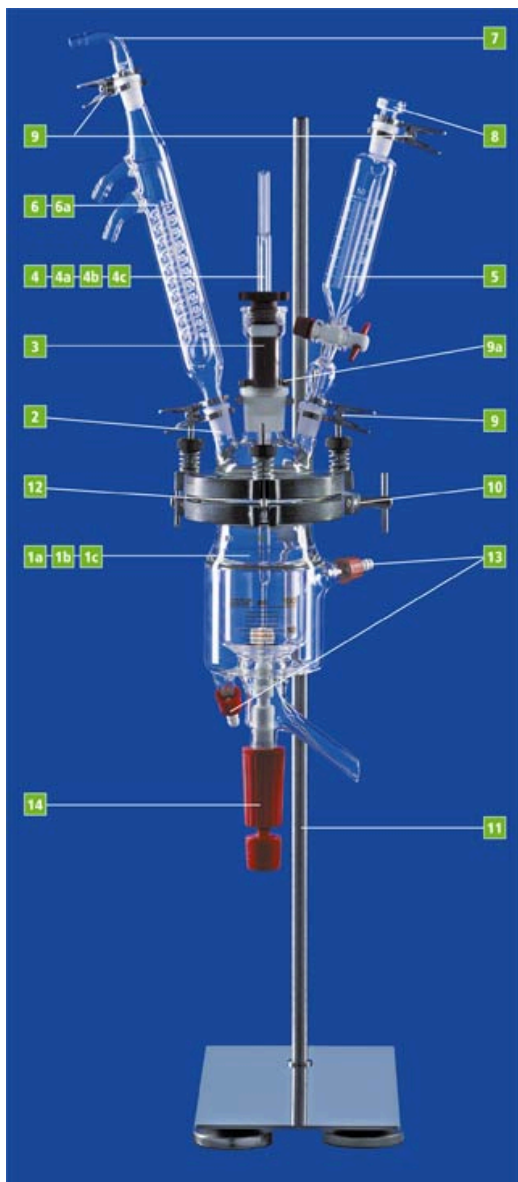


Table top reaction units, lab scale

For stirring under normal pressure or vacuum, with possibility of addition of liquids and boiling under reflux. High-quality system components:

Reaction vessels (100, 250, 500, 1000 or 2000 ml)
with thermostatic jacket (heatable by a circulation bath), with bottom discharge valve (PTFE, 10 mm), made of DURAN® tubing,

Flat flange lid (DN 60 or DN 100)

with center neck and two angled side necks, material: DURAN®,

Funnels, cylindrical (100 or 250 ml)

with graduation, made of DURAN® tubing,

Reflux condensers

(details see on page 71), made of DURAN® tubing,

Stirrer guide and stirrer

with 10 mm stirrer shaft and lateral PTFE blade

Vessel capacity (ml)	Nom. size (DN)	Pack (qty.)	Cat. No.
100	60	1	6 2601 37
250	60	1	6 2601 49
500	60	1	6 2601 58
500	100	1	6 2602 58
1000	100	1	6 2602 70
2000	100	1	6 2602 73

Accessories

Description	Cat. No.
Flexible coupling as connection between stirrer and motor	6 4000 00
Support, for flanges DN 60, complete with connector	6 8000 00
Support, for flanges DN 100, complete with connector	6 8000 01
Motor, 230 V, with stepless adjustable speed and torque control, digital display	6 9000 01

System contents and spare parts for reaction units 100-500 ml, DN 60

Cat. No.: 6 2601 37, Cat. No.: 6 2601 49, Cat. No.: 6 2601 58

Pos.	System contents (pc.)	Description	Cat. No.
1a	1	Reaction vessel 100 ml, DN 60	6 0301 37
1b	1	Reaction vessel 250 ml, DN 60	6 0301 49
1c	1	Reaction vessel 500 ml, DN 60	6 0301 58
2	1	Lid, center neck NS 29/32, 2 side necks NS 14/23	6 1031 41
3	1	Stirrer guide, cone NS 29/32	6 3060 04
4	1	Glass stirrer, shaft with lateral PTFE paddle	6 3070 01
5	1	Dropping funnel, 100 ml, NS 14/23, with graduation	4 3737 11
6	1	Dimroth condenser, jacket length:160 mm, NS 14/23	5 2402 01
7	1	Adapter 90°, cone NS 14/23, with olive	5 0950 01
8	1	Hollow stopper, pointed bottom, NS 14/ 23	1 4000 14
9	4	Forked clamps NS 14/23, stainless steel	1 1035 14
9a	1	Forked clamp NS 29/32, stainless steel	1 1035 29
10	1	Tension brace DN 60	6 2465 06
11	1	Support, complete with connector	6 8000 00
12	1	Sealing ring, DN 60, silicone	6 2480 06
13	2	Plastic olives, PP, with screw cap GL 14	1 3212 14
14	1	Spare valve plug, 10 mm, PTFE, black	6 0613 10

System contents and spare parts for reaction units 500-2000 ml, DN 100

Cat. No.: 6 2602 58, Cat. No.: 6 2602 70, Cat. No.: 6 2602 73

Pos.	System contents (pc.)	Description	Cat. No.
1a	1	Reaction vessel, 500 ml, DN 100	6 0302 58
1b	1	Reaction Vessel, 1000 ml, DN 100	6 0302 70
1c	1	Reaction Vessel, 2000 ml, DN 100	6 0302 73
2	1	Lid, center neck and 2 side necks NS 29/32	6 1032 44
3	1	Stirrer guide, cone NS 29/32	6 3060 04
4a	1	Glass stirrer, shaft with lateral PTFE paddle for 500 ml	6 3070 03
4b	1	Glass stirrer, shaft with lateral PTFE paddle, for 1000 ml	6 3070 05
4c	1	Glass stirrer, shaft with lateral PTFE paddle, for 2000 ml	6 3070 07
5	1	Dropping funnel, 250 ml, NS 29/32, with graduation	4 3749 14
6a	1	Jacketed coil condenser, jacket length: 250 mm, NS 29/32	5 2503 04
7	1	Adapter 90°, cone NS 29/32, with olive	5 0950 04
8	1	Hollow stopper, pointed bottom, NS 29/32	1 4000 29
9a	5	Forked clamps NS 29/32, stainless steel	1 1035 29
10	1	Tension brace DN 100	6 2465 10
11	1	Support, complete with connector	6 8000 01
12	1	Sealing ring, DN 100, silicone	6 2480 10
13	2	Plastic olives, PP, with screw cap GL 18	1 3212 18
14	1	Spare valve plug, 10 mm, PTFE, black	6 0613 10

По вопросам продаж и поддержки обращайтесь:

Алматы (727)345-47-04
Ангарск (3955)60-70-56
Архангельск (8182)63-90-72
Астрахань (8512)99-46-04
Барнаул (3852)73-04-60
Белгород (4722)40-23-64
Благовещенск (4162)22-76-07
Брянск (4832)59-03-52
Владивосток (423)249-28-31
Владикавказ (8672)28-90-48
Владимир (4922)49-43-18
Волгоград (844)278-03-48
Вологда (8172)26-41-59
Воронеж (473)204-51-73
Екатеринбург (343)384-55-89

Иваново (4932)77-34-06
Ижевск (3412)26-03-58
Иркутск (395)279-98-46
Казань (843)206-01-48
Калининград (4012)72-03-81
Калуга (4842)92-23-67
Кемерово (3842)65-04-62
Киров (8332)68-02-04
Коломна (4966)23-41-49
Кострома (4942)77-07-48
Краснодар (861)203-40-90
Красноярск (391)204-63-61
Курск (4712)77-13-04
Курган (3522)50-90-47
Липецк (4742)52-20-81

Магнитогорск (3519)55-03-13
Москва (495)268-04-70
Мурманск (8152)59-64-93
Набережные Челны (8552)20-53-41
Нижний Новгород (831)429-08-12
Новокузнецк (3843)20-46-81
Ноябрьск (3496)41-32-12
Новосибирск (383)227-86-73
Омск (3812)21-46-40
Орел (4862)44-53-42
Оренбург (3532)37-68-04
Пенза (8412)22-31-16
Петрозаводск (8142)55-98-37
Псков (8112)59-10-37
Пермь (342)205-81-47

Ростов-на-Дону (863)308-18-15
Рязань (4912)46-61-64
Самара (846)206-03-16
Санкт-Петербург (812)309-46-40
Саратов (845)249-38-78
Севастополь (8692)22-31-93
Саранск (8342)22-96-24
Симферополь (3652)67-13-56
Смоленск (4812)29-41-54
Сочи (862)225-72-31
Ставрополь (8652)20-65-13
Сургут (3462)77-98-35
Сыктывкар (8212)25-95-17
Тамбов (4752)50-40-97
Тверь (4822)63-31-35

Тольятти (8482)63-91-07
Томск (3822)98-41-53
Тула (4872)33-79-87
Тюмень (3452)66-21-18
Ульяновск (8422)24-23-59
Улан-Удэ (3012)59-97-51
Уфа (347)229-48-12
Хабаровск (4212)92-98-04
Чебоксары (8352)28-53-07
Челябинск (351)202-03-61
Череповец (8202)49-02-64
Чита (3022)38-34-83
Якутск (4112)23-90-97
Ярославль (4852)69-52-93

Россия +7(495)268-04-70

Казахстан +7(727)345-47-04

Беларусь +(375)257-127-884

Узбекистан +998(71)205-18-59

Киргизия +996(312)96-26-47

эл.почта: ezo@nt-rt.ru || сайт: <https://lenz.nt-rt.ru/>